

# CHILTON<sup>®</sup>LIBRARY

Your Current Vehicle: 2011 Honda Fit

Rate this article: ★ ★ ★ ★ ★

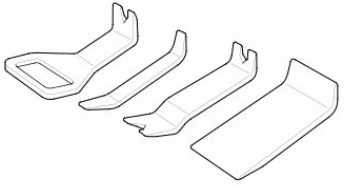
## Cowl Cover Replacement

### NOTE

Applicable vehicles:

- 2009-13 Honda FIT

### Cowl Cover Replacement

Special Tools Required		
Name	No	Illustration
KTC Trim Tool Set	SOJATP2014	 <p>Click to Enlarge</p>
*Available through the Honda Tool and Equipment Program; call 888-424-6857		

### Removal

#### NOTE:

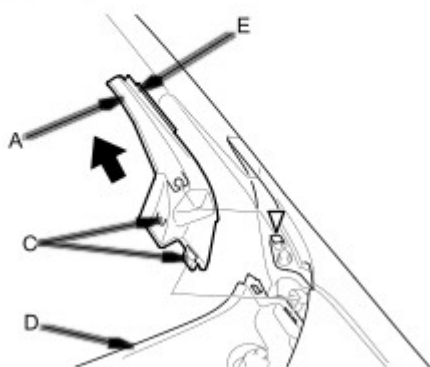
- Put on gloves to protect your hands.
- Take care not to damage the body.

- Use the appropriate tool from the KTC trim tool set to avoid damage when removing components.

1. Close the hood.
2. Remove the driver's hood hinge cover (A) and the passenger's hood hinge cover (B).
  1. Carefully pull the bottom of the cover up to release the hooks (C) from the cowl cover (D).
  2. Release the rib (E) from the edge of the body.
  3. Carefully slide the cover up along the A-pillar to release it from the clip.
  4. Remove the clip from the body.

#### Fastener Location

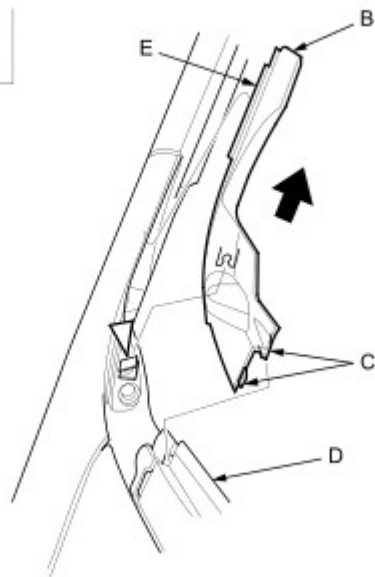
▷ : Clip, 1



Driver's cowl cover

## Fastener Location

▷ : Clip, 1

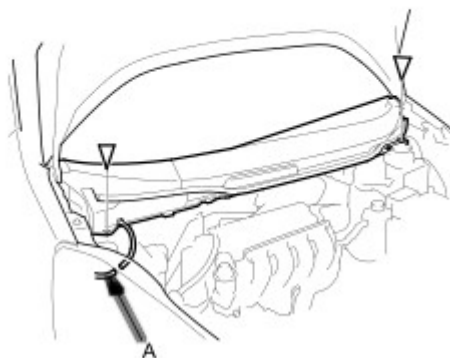
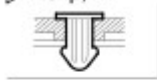


## Passenger's cowl cover

3. Open the hood.
4. Remove the windshield wiper arms.
5. Detach the clips from the cowl cover with a clip remover, then disconnect the windshield washer tube (A).

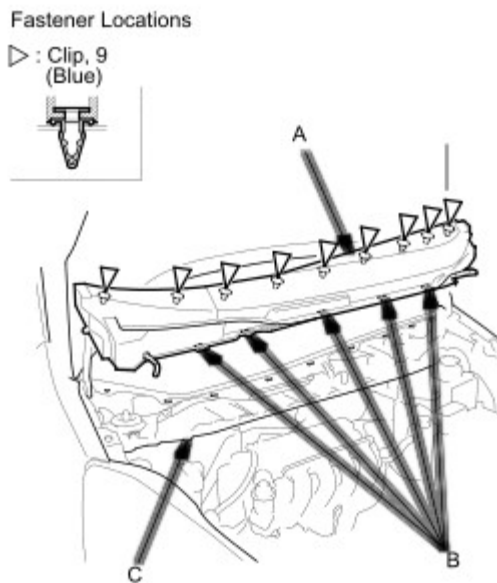
## Fastener Locations

▷ : Clip, 2



6. Detach the clips by carefully pulling the windshield side edge of the cowl cover (A) upward. Pull the cowl cover forward to release the front hooks (B) from the under-cowl panel (C), then remove the

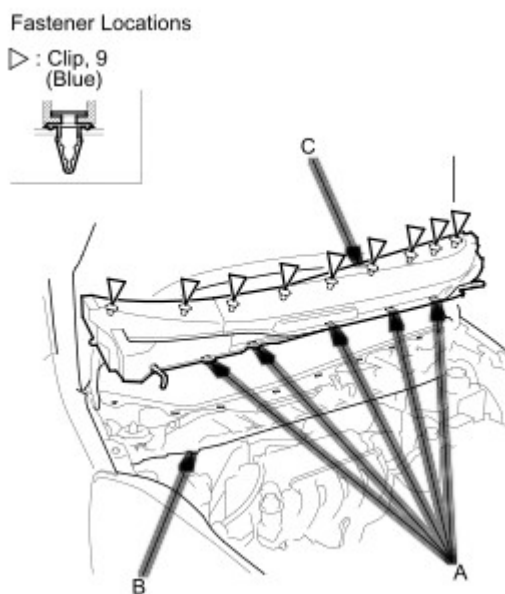
cover.



7. If the clips are damaged or stress-whitened, replace them with new ones.

## Installation

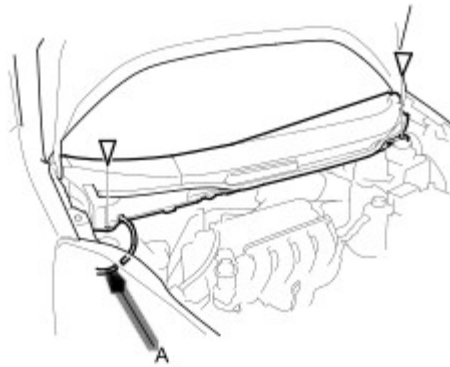
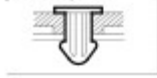
1. Install all of the front hooks (A) on the edge of the under-cowl panel (B), and fit the clips into the holes on the body, then push on the cowl cover (C) until the clips snap into place securely.



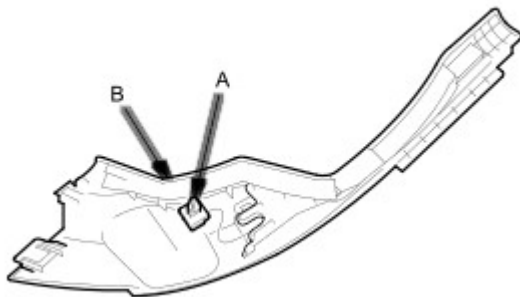
2. Install the clips on the cowl cover, then connect the windshield washer tube (A) securely.

## Fastener Locations

▷ : Clip, 2



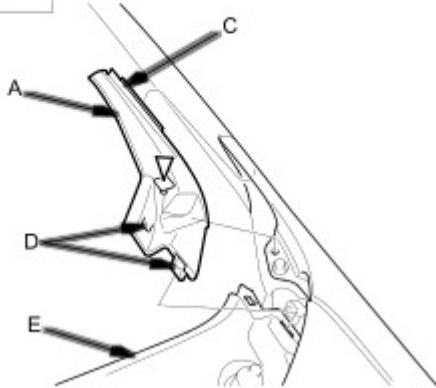
3. Install the windshield wiper arms.
4. Close the hood.
5. Install the clips (A) on both hood hinge covers (B).  
The passenger's hood hinge cover is shown; the driver's hood hinge cover is similar.



6. Install the hood hinge covers (A, B).
  1. Install the rib (C) to the edge of the body.
  2. Fit the clip and the hooks (D) into the holes in the body and the cowl cover (E), then push on the cover until they snap into place securely.

Fastener Location

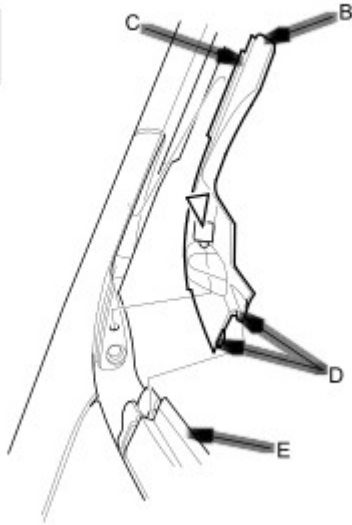
▷ : Clip, 1



Driver's cowl cover

Fastener Location

▷ : Clip, 1



Passenger's cowl cover

[\(/lh/Home/Index/mwell1QKVTwb7-pjj4lEwfrPKgWUdhY0fwXVo7m\\_KxVWOv1w1\)Home](#)

[Terms and Conditions \(/www.cengage.com/content/footer/terms\\_of\\_use.aspx\)](#)

[Privacy Statement \(/www.cengage.com/content/footer/privacy\\_statement.aspx\)](#)

[Contact Us \(/www.cengage.com/contact/\)](#)

