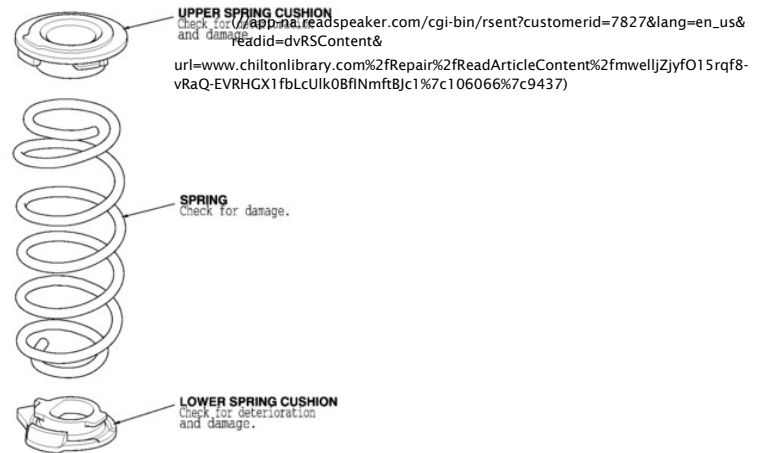


Spring Replacement

NOTE

Applicable vehicles:

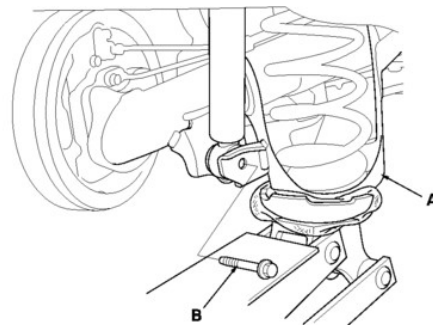
- 2007-08 Honda FIT

Rear Spring Replacement

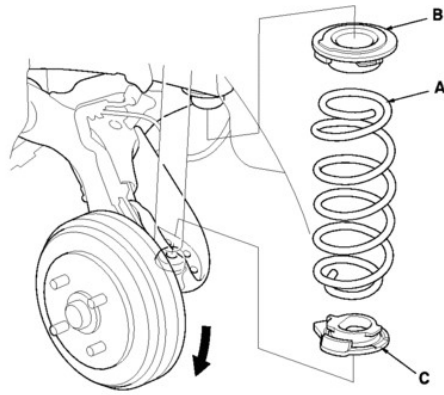
Exploded View

[Click to Enlarge](#)**Removal**

- Raise the rear of the vehicle, and support it with safety stands in the proper locations.
- Remove the rear wheels.
- Position the floor jack under the axle beam (A). Raise the floor jack until the rear suspension begins to compress.

[Click to Enlarge](#)

- Remove the flange bolts (B) from the left and right sides of the rear damper.
- Lower the jack and the axle beam, then remove the spring (A), the upper spring cushion (B), and the lower spring cushion (C).



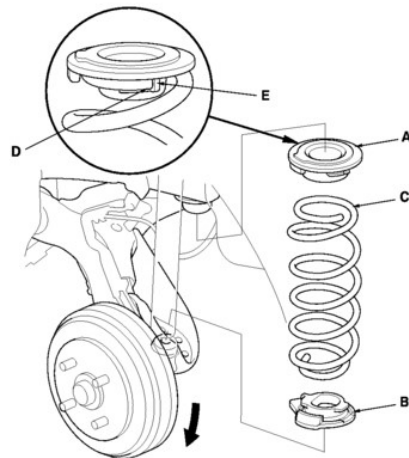
Click to Enlarge

Installation

- Install the upper spring cushion (A) and the lower spring cushion (B) to the spring (C).

NOTE:

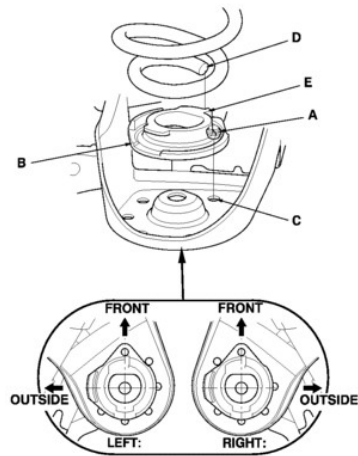
- Securely set the **rear spring** in the groove of the upper spring cushion.
- Align the upper end (D) of the spring with the stepped part (E) of the upper spring cushion.
- After installation, be sure the stepped part and the other rubber parts are not pinched with the spring.



Click to Enlarge

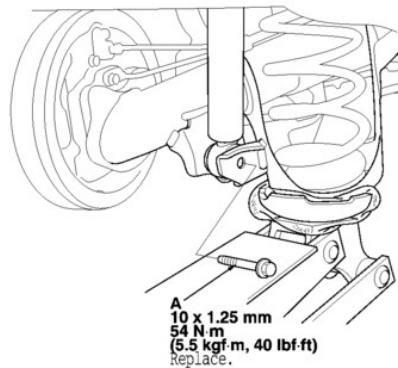
- Lower the axle beam, and install the spring between the body and the axle beam.
- Install the tab (A) on the lower spring cushion (B) in the locating hole (C) on the axle beam.

NOTE: Make sure position the lower spring cushion on the axle beam as shown.



Click to Enlarge

- Align the lower end (D) of the spring with the stepped part (E) of the lower spring cushion.
- Position the floor jack under the axle beam.



Click to Enlarge

- Slowly raise the floor jack until you can align the bolt hole with the holes in the axle beam and the damper, then loosely install the new flange bolts (A).
- Raise the rear suspension with the floor jack until the vehicle just lifts off the safety stands.
- Tighten the flange bolts to the specified torque value.
- Clean the mating surface of the brake drum and the inside of the wheel, then install the rear wheels.
- Check the wheel alignment, and adjust it if necessary.

